

MACHINING LIMITS TO BE ± .10mm UNLESS OTHERWISE STATED

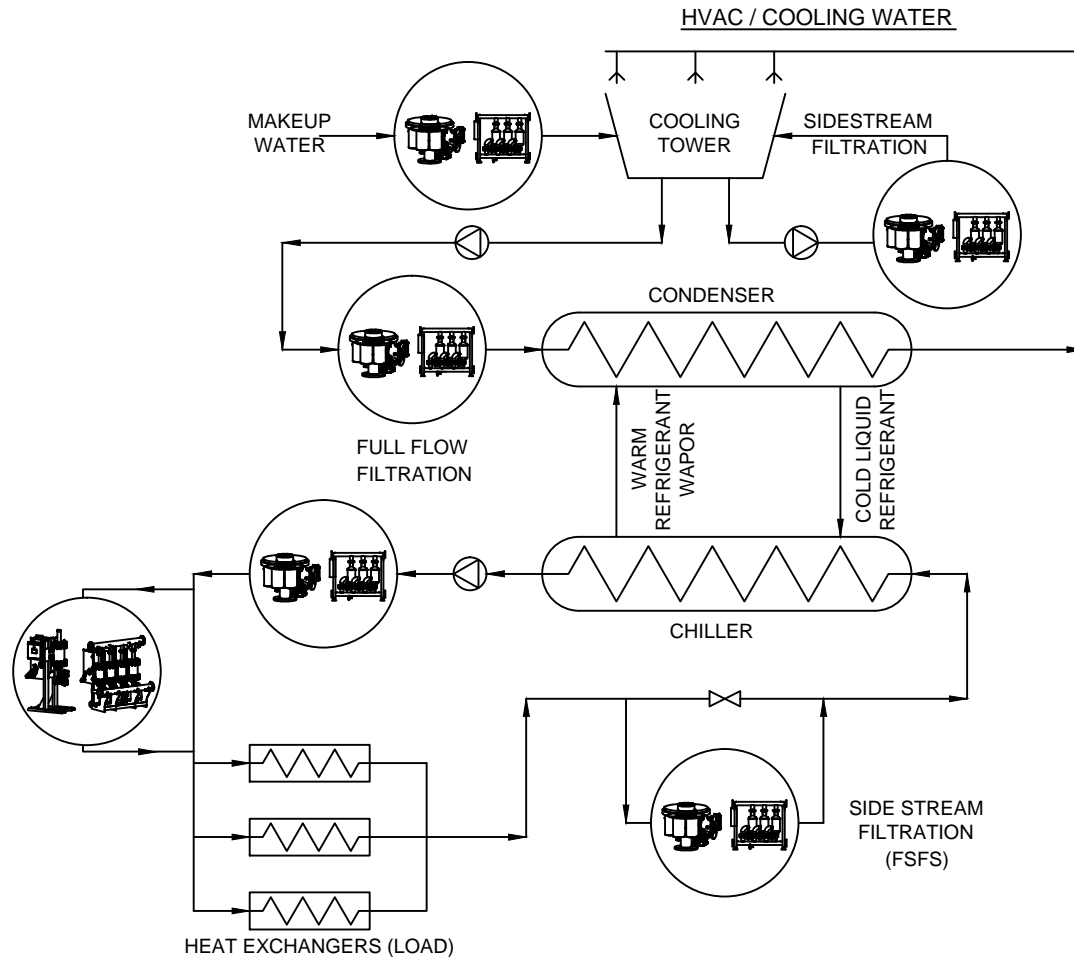
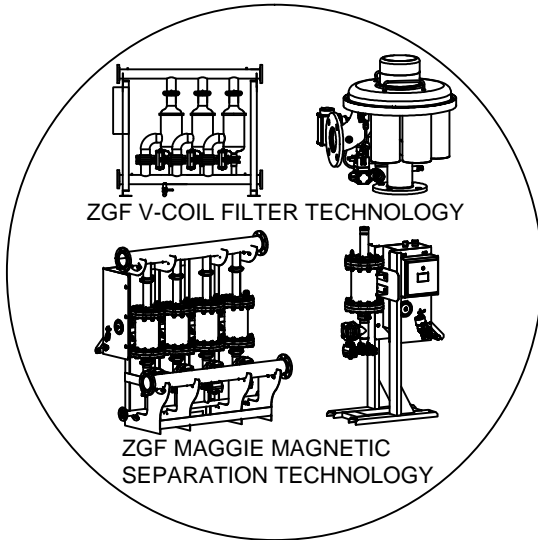
ISSUE NO. 1  
DATE 15 DEC 14

THIRD ANGLE PROJECTION

ISSUE CONTROL NOTES;  
ISSUE 1 ORIGINAL

### HVAC / COOLING WATER

- ZGF TECHNOLOGY CAN BE INSTALLED IN SEVERAL PROCESS POINTS TO PROVIDE VALUE
- \* REDUCE CHEMICAL USAGE AND MAINTENANCE OF CHILLERS/HEAT EXCHANGERS
  - \* MAINTAIN CLEANLINESS OF COOLING TOWER BASIN
  - \* IMPROVE HEAT TRANSFER EFFICIENCY
  - \* FULLY AUTOMATIC, 24/7 OPERATION
  - \* NO CONSUMABLES AND VIRTUALLY NO FILTER MAINTENANCE
  - \* LOWER TOTAL OPERATING COST



ZGF TECHNOLOGY CAN BE USED IN SEVERAL PROCESS POINTS TO PROVIDE VALUE

ZERO GRAVITY FILTERS  
12300 EMERSON DR  
BRIGHTON, MI 48116, USA

TITLE  
PROCESS DIAGRAM  
HVAC / COOLING WATER

MATL:	DRAWN:	MG
SPECN:	CHECKED:	MG
No OFF:	DATE:	15 DEC 14

No ZG 10466