

MACHINING LIMITS TO BE  $\pm .10mm$  UNLESS OTHERWISE STATED

ISSUE NO.	1										
DATE	15 DEC 14										

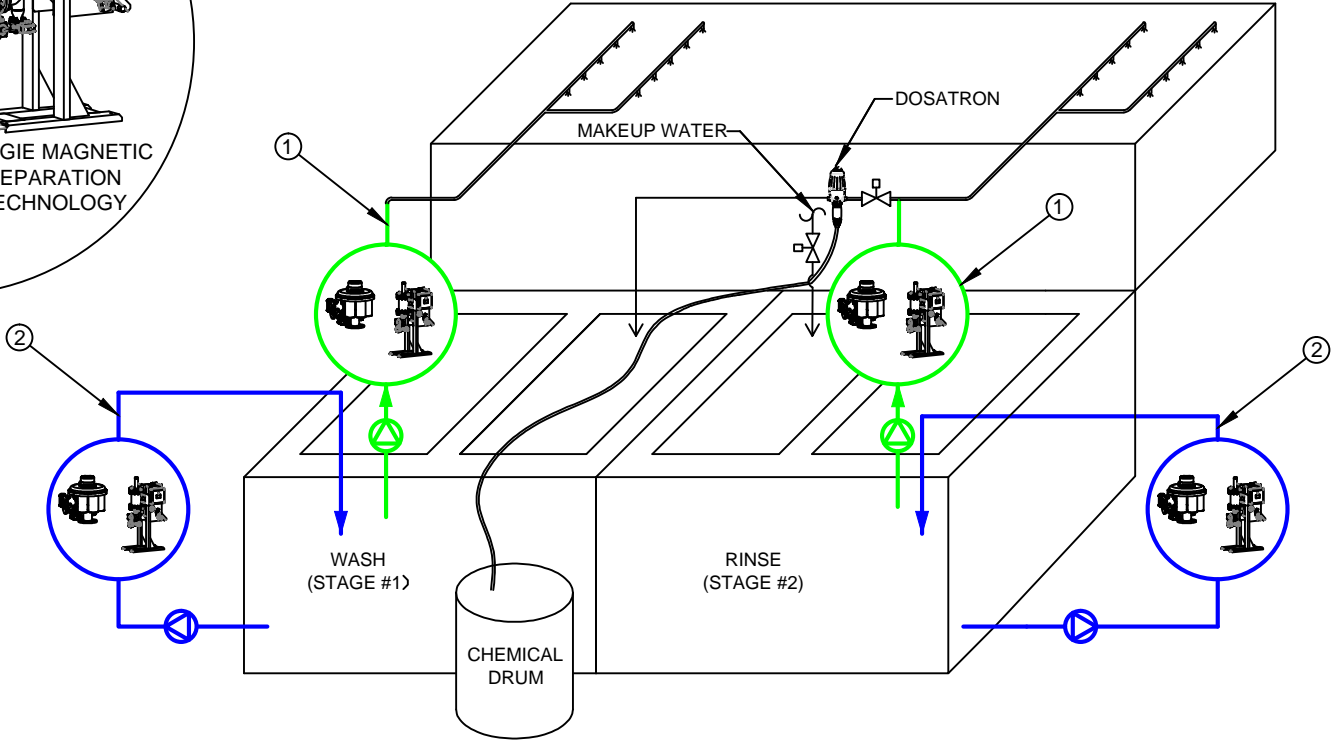
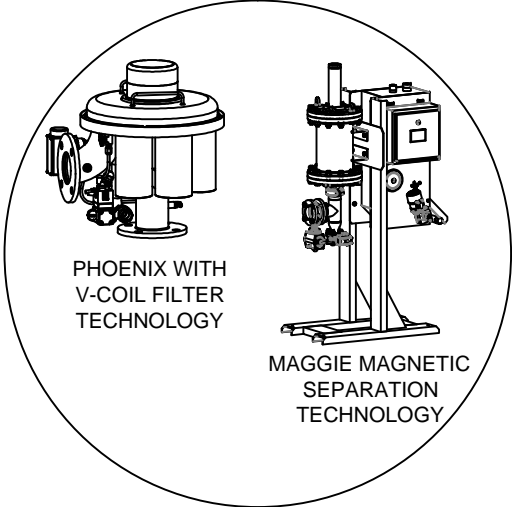
THIRD ANGLE PROJECTION

ISSUE CONTROL NOTES:  
ISSUE 1 ORIGINAL

### INDUSTRIAL PART CLEANING / WASHING

ZGF TECHNOLOGY PROVIDES COST, QUALITY AND ENVIRONMENTAL BENEFITS

- \* IMPROVED PART AND NOZZLE CLEANLINESS
- \* LONGER WASH SOLUTION LIFE
- \* FULLY AUTOMATIC, 24/7 OPERATION
- \* NO CONSUMABLES AND VIRTUALLY NO FILTER MAINTENANCE



ZGF MAGGIE OR PHOENIX TECHNOLOGY CAN BE INSTALLED IN SEVERAL CRITICAL PROCESS POINTS THROUGHOUT THE SYSTEM TO PROVIDE VALUE

- ① FULL FLOW IN-LINE FILTRATION TO FULLY PROTECT NOZZLES. FILTERS 100% OF FLUID GOING TO PART.
- ② SIDE STREAM FILTRATION. HIGH VOLUME TURNOVER OF TANKS.

ZERO GRAVITY FILTERS  
12300 EMERSON DR  
BRIGHTON, MI 48116, USA

TITLE  
PROCESS DIAGRAM  
INDUSTRIAL PART CLEANING / WASHING

MATL:	DRAWN:	MG
SPECN:	CHECKED:	MG
No DFF:	DATE:	15 DEC 14

No ZG 10466