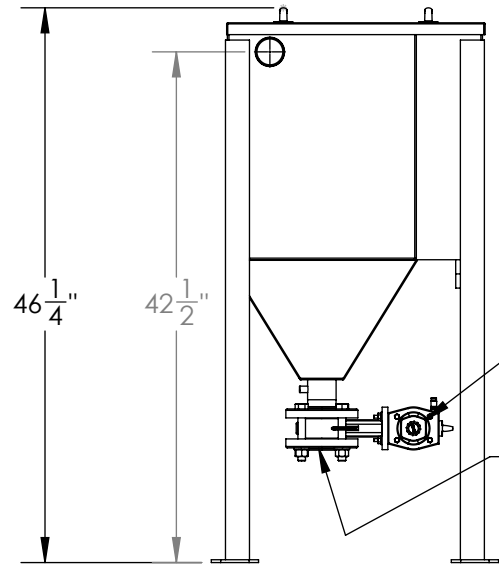
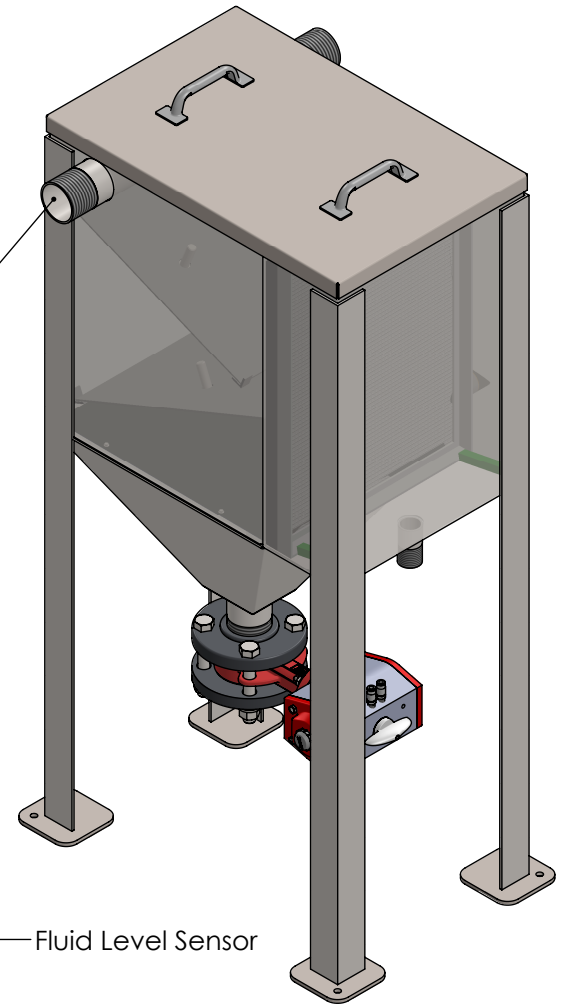
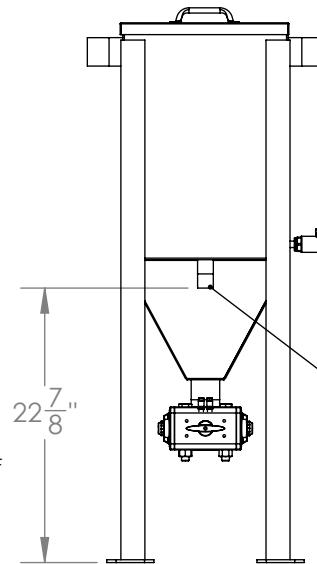


Purge Fluid Inlet,  
2" NPTM



Contaminate Discharge  
Valve, 2" Butterfly

Waste Connection, 2" ANSI 150#  
Threaded Flange



22 7/8"

Fluid Level Sensor

Reclaimed Fluid Outlet,  
1.5" NPTM

**DO NOT SCALE DRAWING**

NAME DATE

TITLE:

UNLESS OTHERWISE SPECIFIED  
ALL DIMENSIONS ARE IN INCHES

DRAWN RJB 3/6/2019

Green Screen - Automatic

ANGLES FRACTIONS X.XXX X.XXXX CHK'D JW 3/6/2019

DWG NO.

ZGF PART NO.

±1° ±1/16 ±.010 ±.005 APP'VD 3/6/2019

ZG 10618

DEBURR AND BREAK SHARP EDGES

SCALE: 1:16

SHEET 1 OF 1

MATERIAL: Carbon Steel

FINISH: Aquense/Powdercoat



Zero Gravity Filters  
12300 Emerson Dr. Brighton, MI 48116